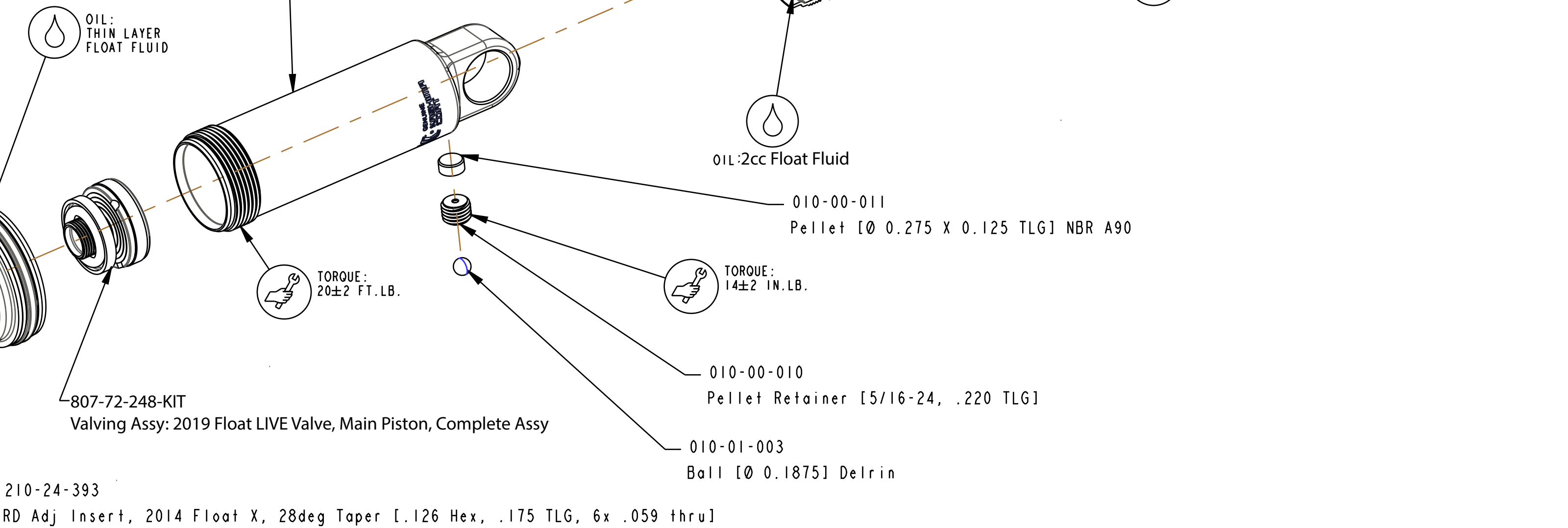


AIR SLEEVE ASSEMBLIES:
 806-29-590-KIT: Sleeve Assembly: 2018, 1.500 Bore, LV, EVOL, Kashima, 165 X 40/45 (Giant Anthem Advanced Pro 29)
 806-29-599-KIT: Sleeve Assembly: 2018, 1.500 Bore, LV, EVOL, Kashima, 7.875 X 2.25/2.00, 0.5" Shaft (Pivot Mach 5.5)
 806-29-591-KIT: Sleeve Assembly: 2018, 1.500 Bore, LV, EVOL, Kashima, 185 X 50/55 (Scott Genius)

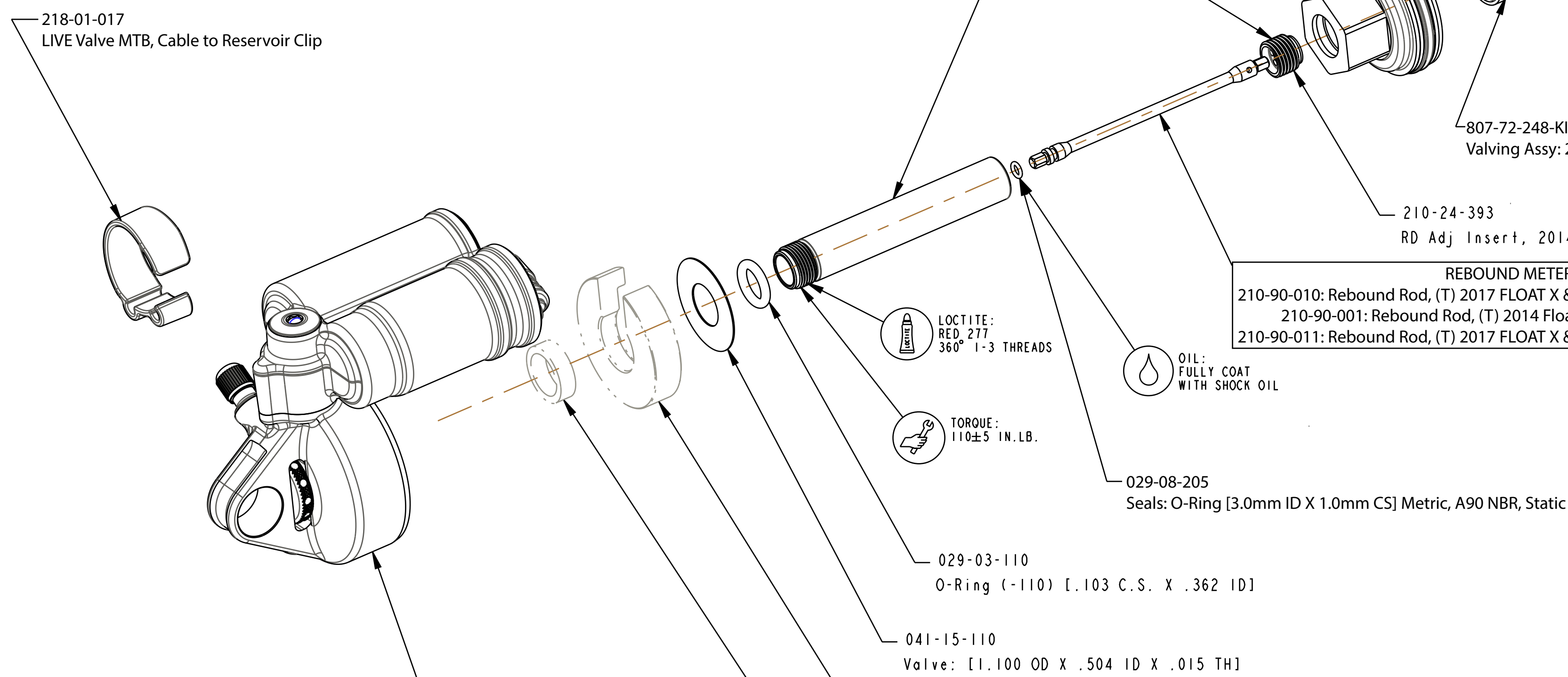
BODIES:
 207-50-031: Body: FLOAT [Ø 0.940 Bore, 1.060 OD, 3.959 TLG] Kashima, 165(T) x 40/45 (Giant Anthem Advanced Pro 29)
 207-50-006: Body: (T) [Ø 0.940 Bore, 1.060 OD, 4.312 TLG, 1.125-20 UN-2A] Impact Extrusion Al 6061, Kashima, 7.875 x 2.0/2.25 (Pivot Mach 5.5)
 207-50-032: Body: FLOAT [Ø 0.940 Bore, 1.060 OD, 4.352 TLG] Kashima, 185(T) x 50/55 (Scott Genius)

BEARING ASSEMBLIES:
 812-06-089-KIT: Bearing Assy: FLOAT, 2018, Short [.940 Bore, 1.500 Bore, .500in Shaft] (Giant Anthem Advanced Pro 29 and Scott Genius)
 812-06-090-KIT: Bearing Assy: FLOAT, 2018, Tall [.940 Bore, 1.500 Bore, .500in Shaft] (Pivot Mach 5.5)

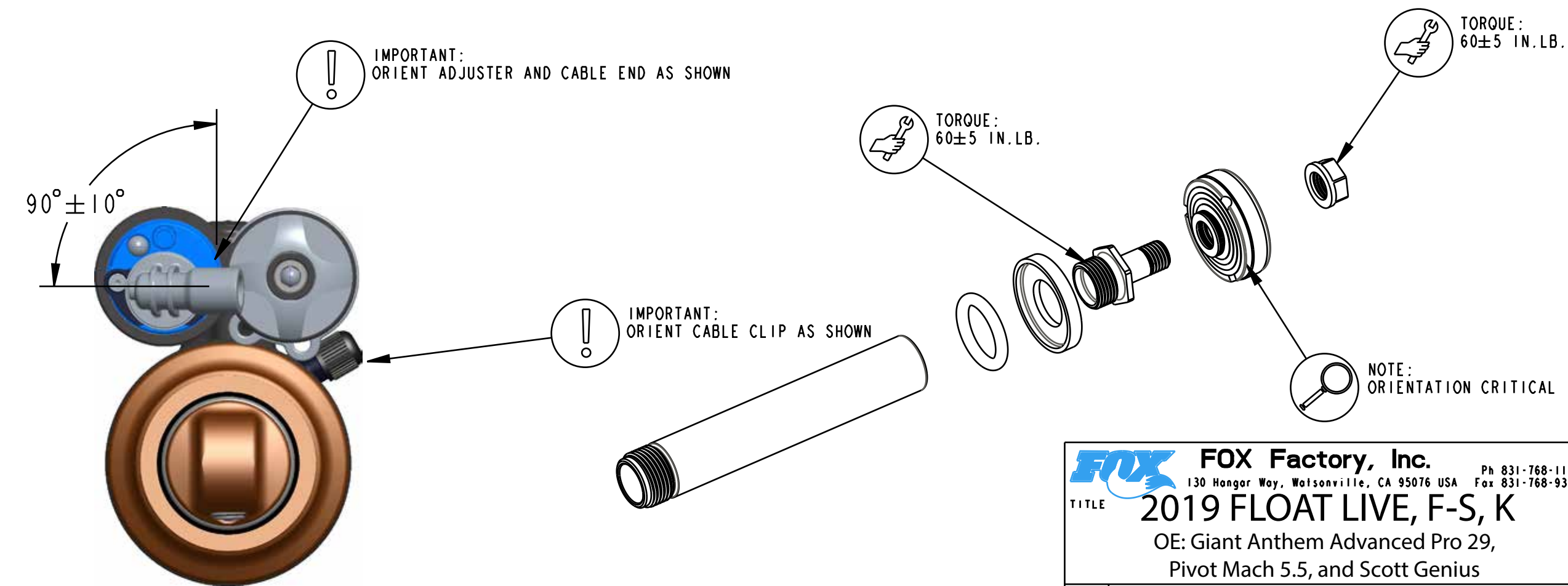
SHAFTS:
 230-22-009: Shaft: (T) [.390/.360 ID X .498 OD X 2.652 TLG] 190/165(T) X 45, STEEL, CHROME I (Giant Anthem Advanced Pro 29)
 230-22-001: Shaft: (T) [.390/.360 ID X .498 OD X 3.13 TLG] 7.875 X 2.0/2.25, STEEL, CHROME I (Pivot Mach 5.5)
 230-22-010: Shaft: (T) [.390/.360 ID X .498 OD X 3.045 TLG] 210/185(T) X 55, STEEL, CHROME I (Scott Genius)



REBOUND METERING RODS:
 210-90-010: Rebound Rod, (T) 2017 FLOAT X & LIVE, 3.310 TLG, 210 X 55 & 165(T) X 45
 210-90-001: Rebound Rod, (T) 2014 Float X, 3.395 TLG for 7.875 X 2.0/2.25
 210-90-011: Rebound Rod, (T) 2017 FLOAT X & LIVE, 3.704 TLG, 230 X 65 & 185(T) X 55



EYELET ASSEMBLIES:
 808-17-311-KIT: Eyelet Assy: 2018, FLOAT LIVE, LV, Trunnion (Giant Anthem Advanced Pro 29 and Scott Genius)
 808-17-308-KIT: Eyelet Assy: 2018, FLOAT LIVE, LV (Pivot Mach 5.5)



PROPRIETARY - PROPRIETARY INFORMATION
 THIS DOCUMENT CONTAINS CONFIDENTIAL, PROPRIETARY INFORMATION
 THAT IS FOR PROPERTY. DO NOT DISCLOSE TO OR DUPLICATE
 FOR OTHERS EXCEPT AS AUTHORIZED BY FOX.

FOX Factory, Inc.
 130 Hangar Way, Watsonville, CA 95076 USA Ph 831-768-1100
 TITLE: **2019 FLOAT LIVE, F-S, K**
 OE: Giant Anthem Advanced Pro 29,
 Pivot Mach 5.5, and Scott Genius
 SIZE DWG. NO. D
 PLOT SCALE 1:1 SHEET 1 OF 2